

MT2 Dual Circuit



MT2
Dual Circuit

Compact & Lightweight Vacuum Lifters

Make glass lifting safer and easier with the reliable MT2 lightweight vacuum lifter.

Proven to be popular aids in the glazing, construction, automotive, manufacturing and transport industries, these lifters have the flexibility to lift metal, plastic, ceramic and composite materials. Offering more lifting power than everyday manual hand cups, these small powered lifters are designed to be used as below-the-hook attachments and help to reduce the risk of injury normally associated with manual glass handling.

Key Features

- Capacity: 135kg
- Dual circuit vacuum system with reserve tank, non-return valve and vacuum gauge for each circuit
- 90° manual tilting from vertical to horizontal
- Integral maintenance-free vacuum pump
- 12v rechargeable battery with integral 110v or 240v charger and battery energy gauge
- Audio-visual low vacuum warning
- On-board control panel



135kg

Safe Working Load

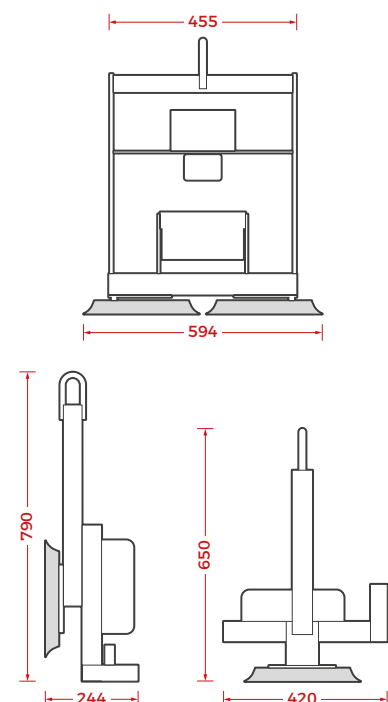


Technical Specifications

**MT2
dual circuit**

Safe working load (smooth, clean surface at 60% vacuum)	capacity: 135kg
Number of suction cups	cups: 2
Suction cup	description: black rubber, not abrasion resistant.
Suction cup diameter	diameter: 280mm
Suitable for lifting	material properties: gastight / non-porous surface: smooth example: glass, plastic boards, ceramic plates, sheet metals, coated boards
Weight of lifter	approx: 24kg
Depth of lifter	depth: 244mm
Tilt	tilt: 90° manual
Vacuum system	type: dual circuit (1 pump, 2 vacuum reserve tanks)
Voltage	pump: 12v DC from rechargeable battery battery charger: 110v/240v 50/60Hz single phase factory selectable
Optional accessories	stone pads: 135kg capacity curved pads: 135kg capacity

Technical Data - MT2 (mm)



VACUUM LIFTERS