

FALCON LIFTS A/S

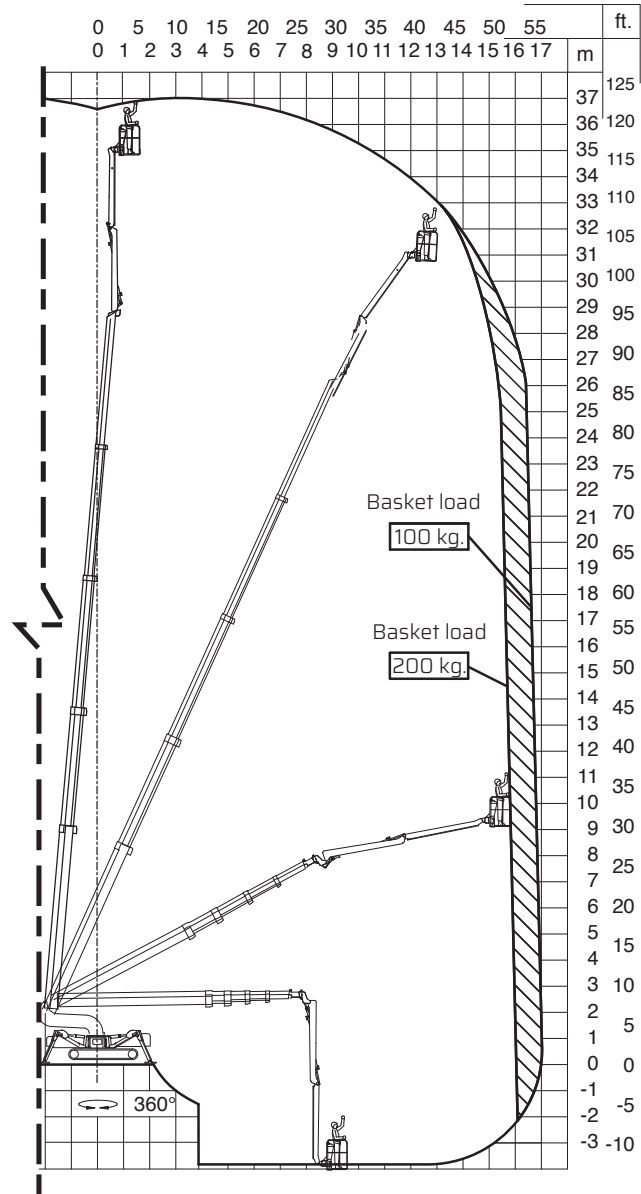
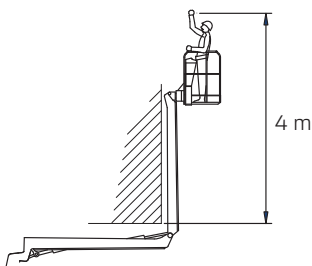
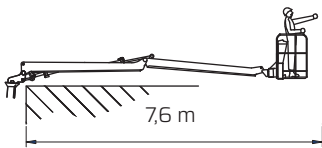
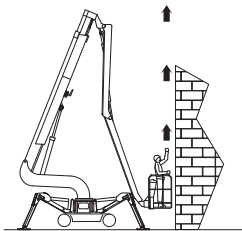
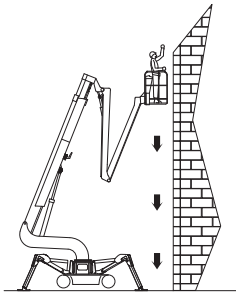
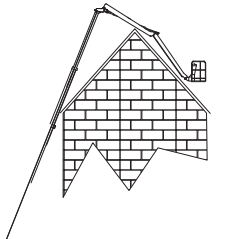
Tolderlundsvej 106
DK-5000 Odense C
Tel: +45 66 13 11 00

falconlifts.com



FALCON FS 370

Reach diagram - Optimized position

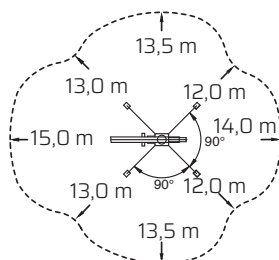


Reach with outriggers in different positions

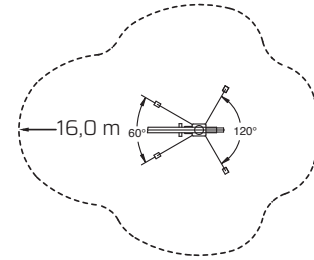
Standard

Measurements in meters

Optimized



Basket load = 200 kg

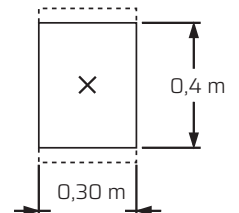
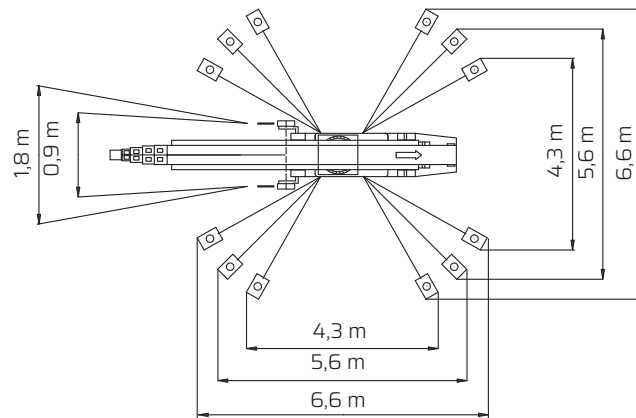
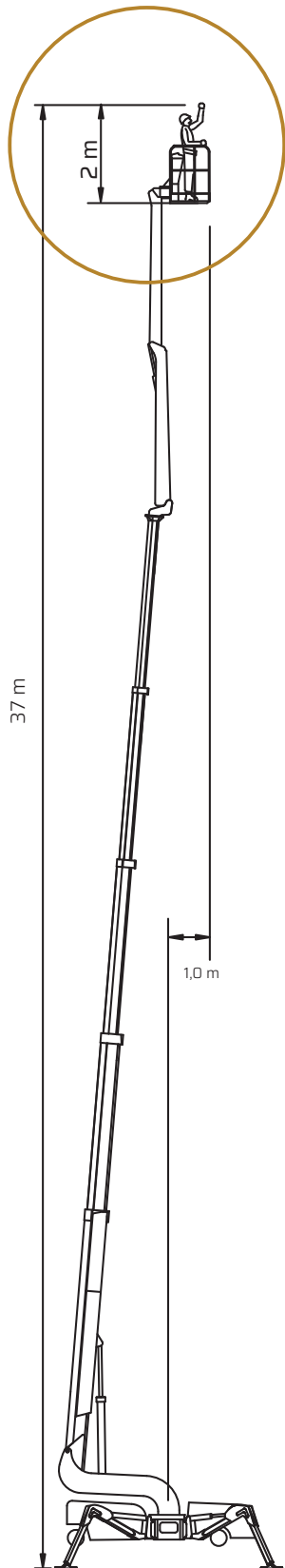


Basket load = 100 kg

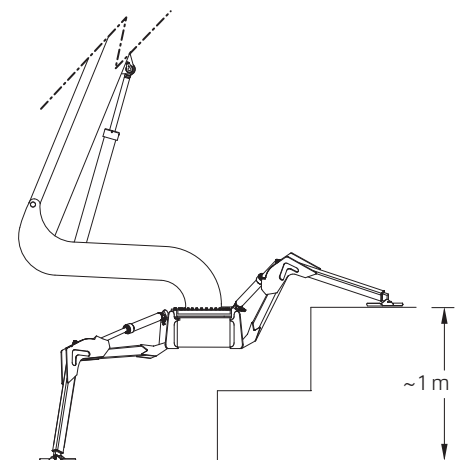
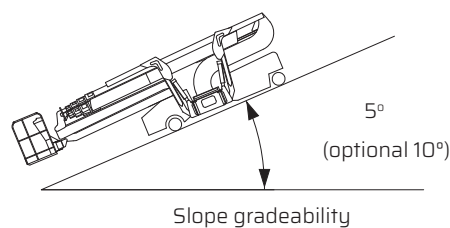
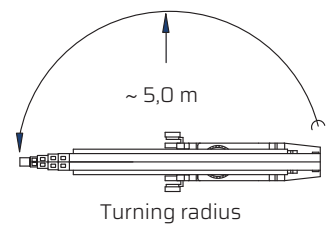
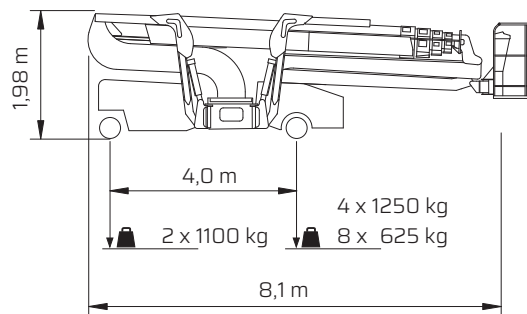
All measurements are intended as guide. Choise of equipment may change the mentioned measurements

FALCON FS 370

Outer measurements



Outrigger plate area
= 1200 cm²



Additional info:

Weight and ground pressure:

Weight with standard equipment (solid tires) Bogie	7200	kg.
Max. ground pressure under 1 wheel (with 4 rear wheel)	5,9	kg/cm ²
Max. ground pressure under 1 wheel (with 8 rear wheel)	5,5	kg/cm ²
Max. ground pressure under 1 outrigger plate	2,75	kg/cm ²
Front wheel area (depending on wheel type)	2 x ~200	cm ²
Rear wheel area (depending on wheel type)	4 x ~210	cm ²

As all our products are in a constant process of development we reserve the right to alterations