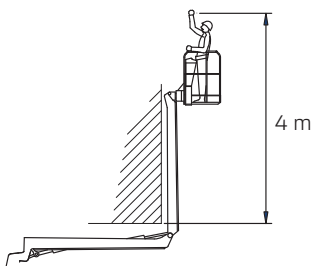
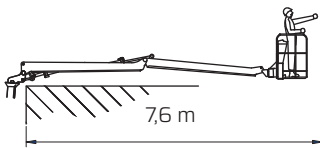
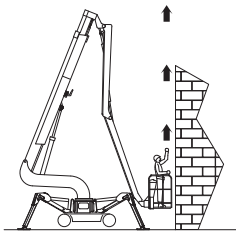
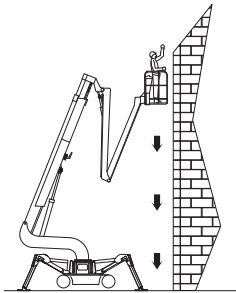
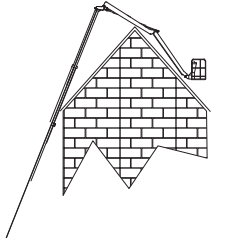
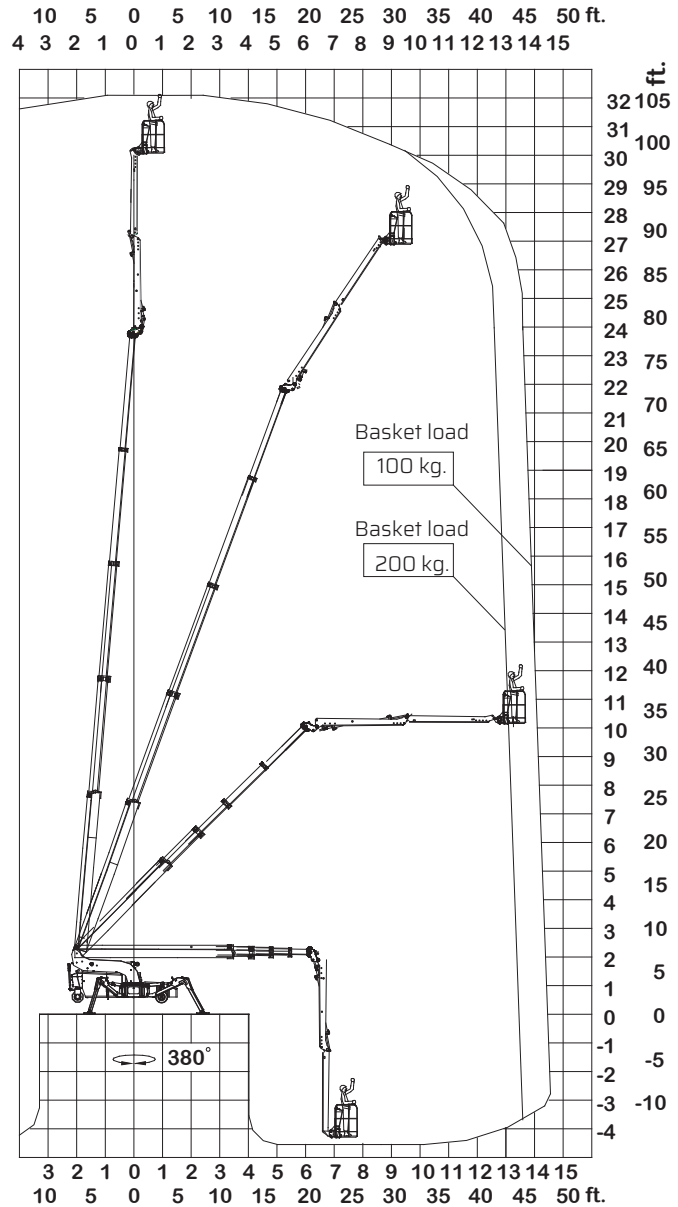
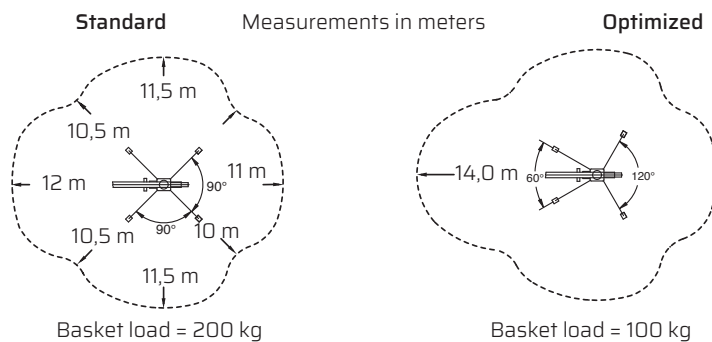


FALCON FS 320

Reach diagram - Optimized position

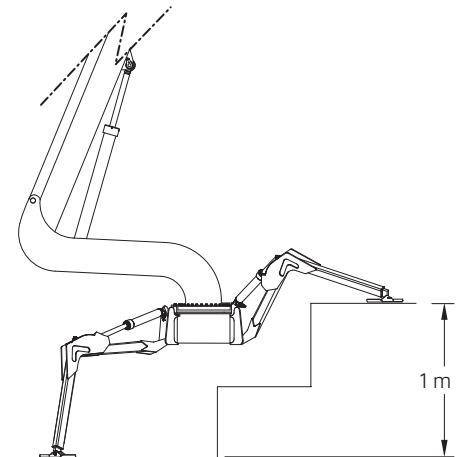
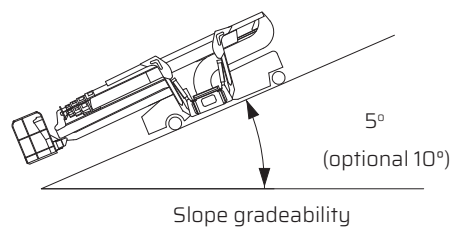
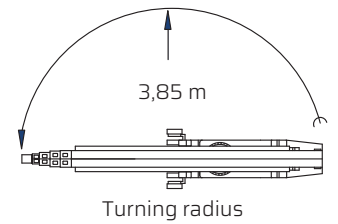
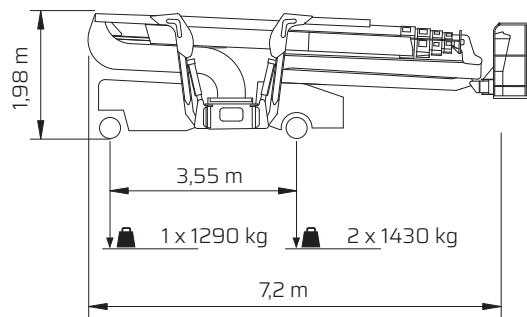
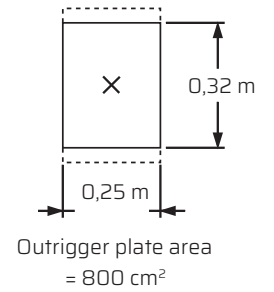
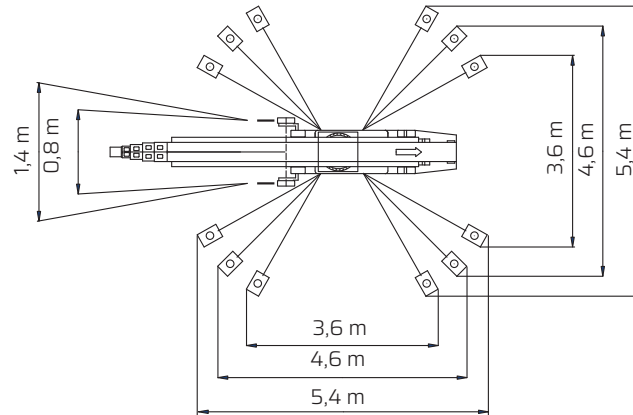
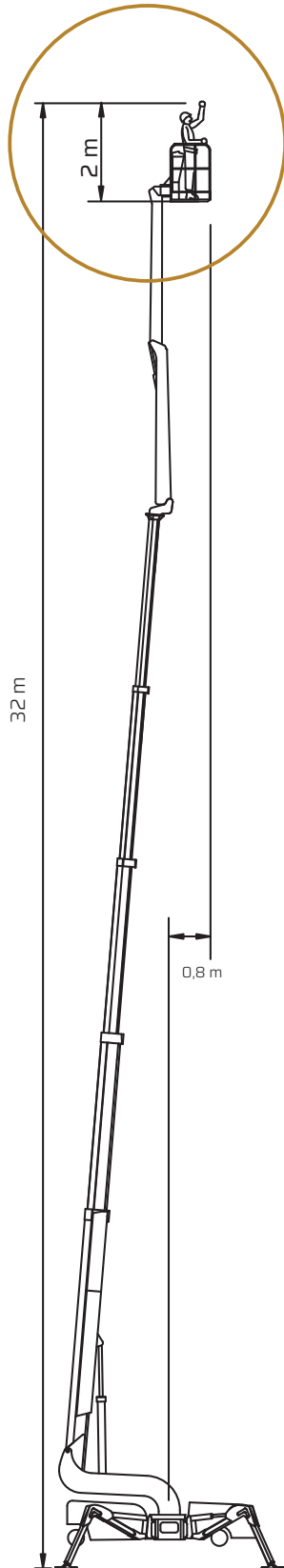


Reach with outriggers in different positions



FALCON FS 320

Outer measurements



Additional info:

Weight and ground pressure:

Weight with standard equipment	4150	kg.
Max. ground pressure under 1 wheel	8,0	kg/cm ²
Max. ground pressure under 1 outrigger plate	2,9	kg/cm ²
Front wheel area (depending on wheel type)	1 x 170	cm ²
Rear wheel area (depending on wheel type)	2 x 179	cm ²