

EMU Dual Circuit

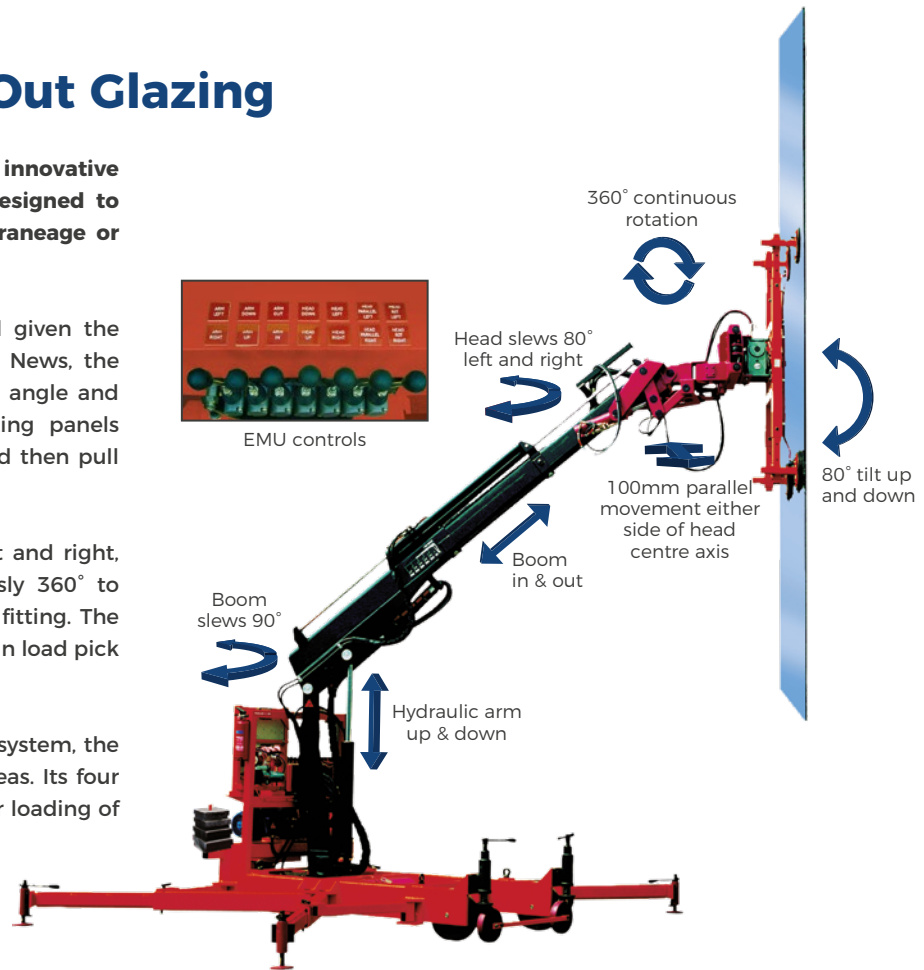
Designed For Inside-Out Glazing

The Ergonomic Manipulating Unit (EMU) is an innovative machine with a unique manipulating head designed to glaze a building from the 'inside-out' when craneage or scaffolding is impractical.

With recognition from the Design Council and given the Quality in Construction Award by Construction News, the EMU has a unique manipulating head that can angle and push glass, curtain walling and unitized glazing panels outside of a building envelope, realign them and then pull them back into position for fixing.

The flexible hydraulic lifting head slews 80° left and right, tilts up and down 80° and rotates continuously 360° to manipulate loads into the ideal angle ready for fitting. The boom also slews up to 90° left and right to assist in load pick up.

Independently powered with an on-board drive system, the EMU has the mobility to access tight interior areas. Its four outriggers enhance stability and reduce the floor loading of the machine.



Technical Specifications

Safe working load	jibs 1 & 2: 500kg jib 3: 300kg
Suitable for lifting	material properties: gastight / non-porous surface: smooth example: glass, plastic boards, ceramic plates, sheet metals, coated boards
Weight	with counterweights: 1650kg without counterweights: 1450kg
Width	folded: 1350mm (with counterweights), 1250mm (without)
Length	length: 3200mm
Height	folded: 1830mm
Number of suction cups	cups: 4 - 12 depending on configuration. Standard frame is 10 cups and 2 extension arms. Custom built frames are available. Curved frame option also available.
Powered head tilt	powered head tilt: 80° up & down
Powered head sideshift	movement: 100mm
Powered pad frame rotation	rotation: 360° continuous
Powered head slew	left & right: 80°
Powered boom slew	left & right: 90°
Vacuum system	dual circuit: 1 pump, 2 vacuum reserve tanks

500kg
Safe Working Load

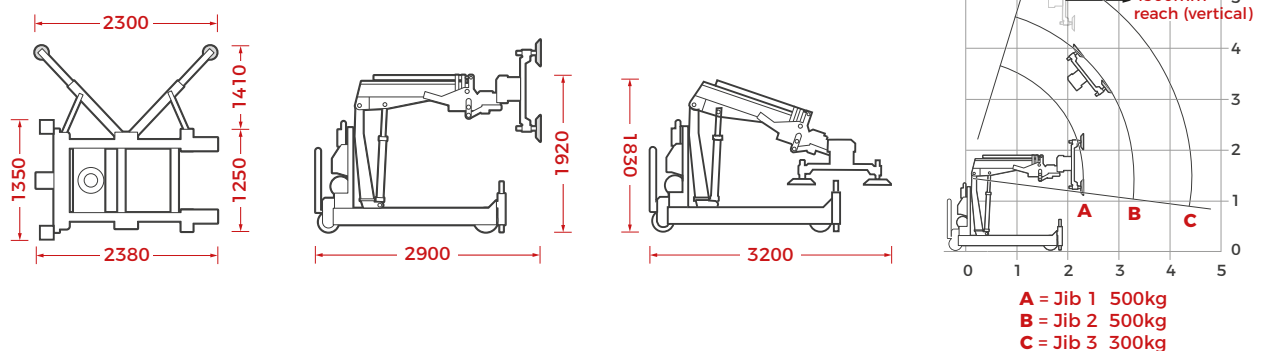
Key Features

- Capacity: 300kg, 500kg (depending on chosen jib)
- Dual circuit vacuum system with vacuum gauge circuit
- Hydraulically operated smooth control
- 5.76m reach from floor to pad face
- Working radius: 4.4m
- 80° tilt up and down
- Head slews 80° left and right
- Boom slews 90° left and right
- 360° continuous rotation in either direction
- Head movement 100mm parallel left and right
- On-board maintenance free vacuum pump powered by 12v battery with integral charger or 110v/240v mains
- Audio-visual low vacuum warning system
- Weight: 1650kg (with counterweights)



EMU vacuum system controls

Technical Data (mm)



LIFTING SOLUTIONS