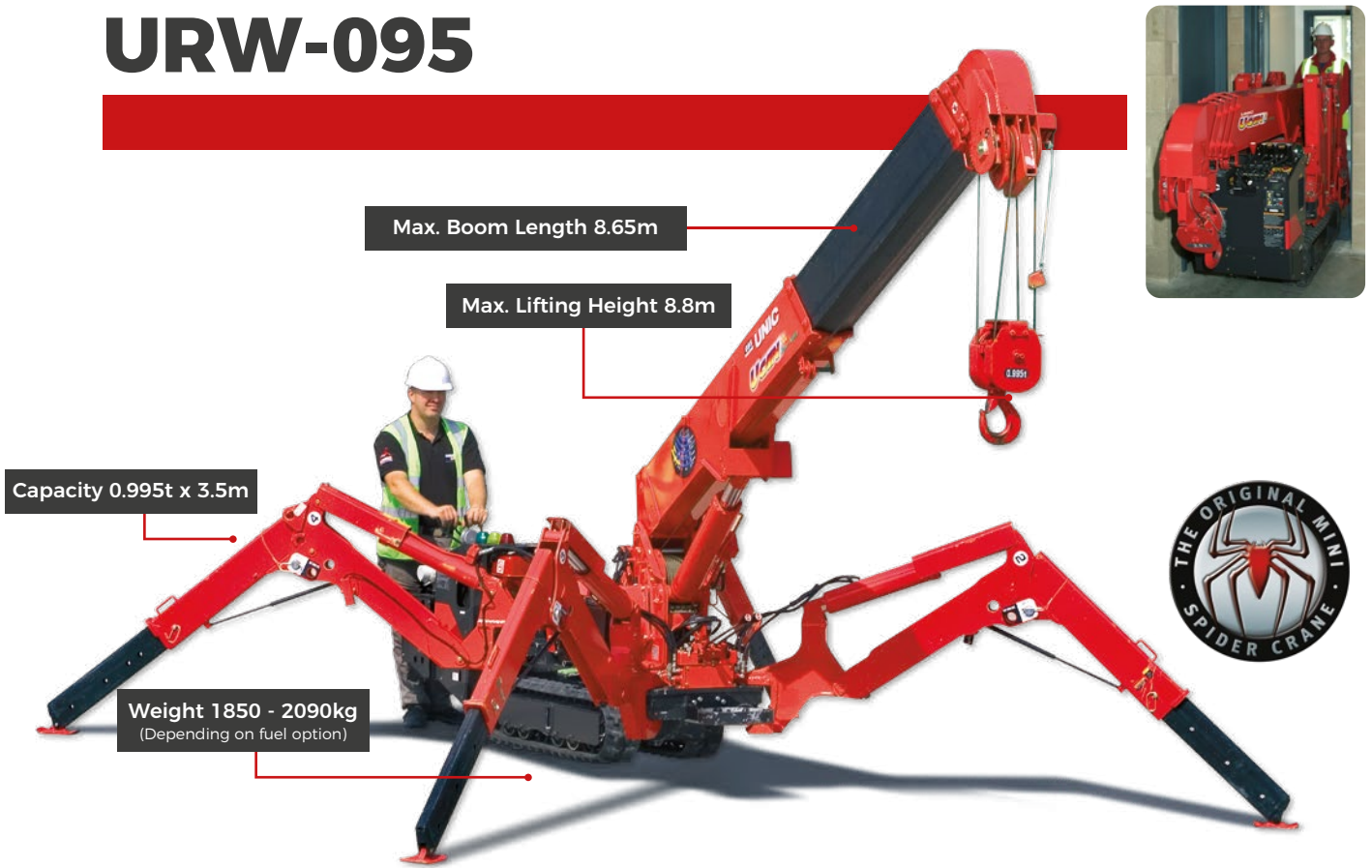


URW-095



- Total width 0.6m
- Max working radius 8.41m
- Petrol powered with LPG and electric option
- Diesel powered with electric option
- Zero length increase with electric option (except diesel)
- Multi-position configurable outriggers
- Intelligent voice warning system
- Turn-over protection system, stability warning
- Radio remote control as standard
- Intelligent throttle activation for economy and ecology

The URW-095 is just 0.6m wide and designed specifically for interior access and benefits from class-leading heavy lifting capacity.

The URW-095 boasts unrivalled boom length and its outriggers allow for independent multi-angle configurations to suit the working space especially in restricted or confined areas - the patented UNIC stability protection system provides the benefit of turnover protection for enhanced safety.

Additional Features



Radio remote control



UNIC stability protection system

Crane Specifications

Crane capacity	capacity:	0.995t x 3.5m
Max working radius	max:	8.41m
Max lifting height	approx:	8.8 m (9.8m with fly jib, 10.47m with fixed hook)
Rope length	max:	14.12m (4 fall), 29.24m (2 fall), 59.47m (1 fall)
Dimensions	folded:	2690mm (2905mm diesel & electrical dual) (l) x 600mm (w) x 1375mm (h)
Weight	unladen:	1850kg (1950kg with electric option, 1920kg with diesel option, 2090kg with diesel and electric dual option)
Point loadings	Due to the many variables involved, point loadings are only available on request	
Hook speed	approx:	10m/min (with 4 layers and 4 falls)
Telescopic system	boom length: telescoping speed: boom type:	2.53 - 8.65m 6.12m/20 seconds 5 section, hydraulically telescoping boom, hexagonal box construction
Derricking angle/speed	approx:	0 - 78°/11 seconds
Slewing angle/speed	approx:	360° (continuous) 1.5 min rpm
Traction system	drive: travel speed: gradeability: track ground length: track ground pressure: track width:	hydrostatic, stepless forward and reverse 0 - 2.3 km/h 20° (vertical), 10° (traverse) 1050mm 48kPa (0.49 kg/cm ²) 180 mm
Engine	manufacturer: drive: maximum output: starting method: tank capacity:	Mitsubishi (Kubota diesel) petrol with LPG and electric options, diesel with electric option 9.6kW (13 PS) / 2000min (U/Min) electric and recoil start as standard 6 litres petrol, 9 litres diesel
Electric motor	power: voltage:	3.7kW 400v AC 50/60 Hz
Standard equipment	radio remote control, overwinding alarm, computer controlled intelligent voice warning system, multi-function operation by radio remote control, intelligent throttle activation, automatic hook stow, load indication, turn-over protection system with stability warning lamps and alarm	
Optional equipment	1 fall hook block, 2 fall hook block, LPG dual power, mains electric dual power (400v), diesel engine, low marking tracks, searcher hook small 300kg, searcher hook 700kg, fly jib 700kg with single part line	

0.995t

Safe Working Load

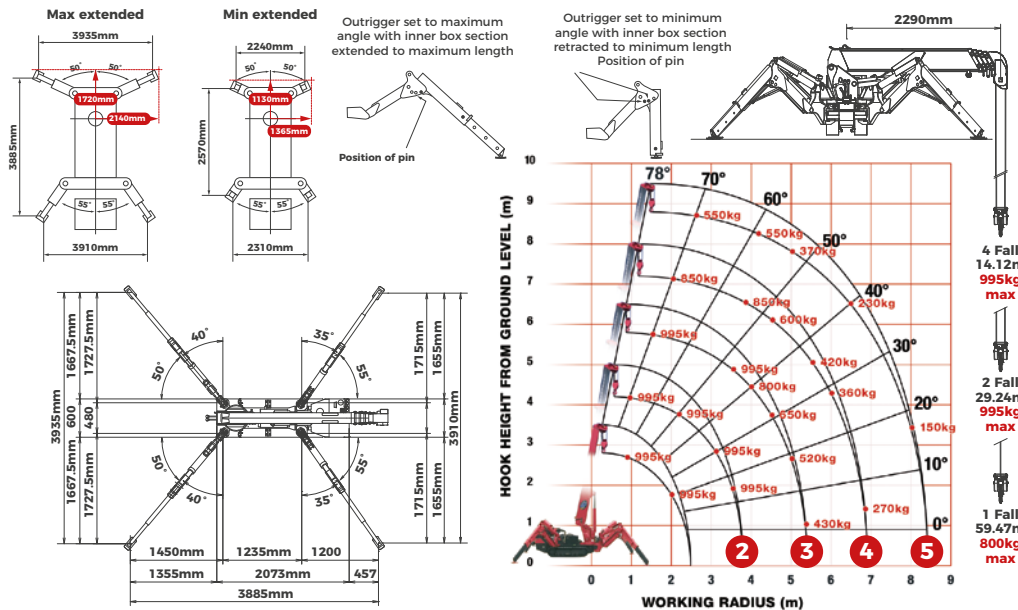


Optional Searcher Hook & Fly Jib



Lifting Capacity 700kg (max)
Length 1500mm
Weight 40kg
Angles 0°, 20°, 40°, 60°

Rated Loads & Outrigger Positions



SECOND STAGE EXTENDED 2.53 - 4.075m BOOM LENGTH

Working radius	m	up to 1.0	1.4	1.5	1.8	2.0	2.5	3.0	3.5	3.835
Outrigger Max-extended	kg	995	995	995	995	995	995	995	995	900
Outrigger Min-extended	kg	995	995	995	995	995	650	490	350	250

THIRD STAGE EXTENDED 4.075 - 5.61m BOOM LENGTH

Working radius	m	up to 2.2	2.5	2.9	3.0	3.5	4.0	4.5	5.0	5.37
Outrigger Max-extended	kg	995	995	995	995	995	800	650	520	430
Outrigger Min-extended	kg	800	650	530	500	380	280	220	160	120

FOURTH STAGE EXTENDED 5.61 - 7.13m BOOM LENGTH

Working radius	m	up to 3.3	3.8	4.0	4.5	5.0	5.5	6.0	6.5	6.89
Outrigger Max-extended	kg	850	850	750	600	500	420	360	320	270
Outrigger Min-extended	kg	420	340	300	250	190	140	100	80	60

FIFTH STAGE EXTENDED 7.13 - 8.65m BOOM LENGTH

Working radius	m	up to 3.8	4.1	4.5	5.0	5.5	6.0	6.5	7.0	8.0	8.41
Outrigger Max-extended	kg	550	550	450	370	310	270	230	200	150	130
Outrigger Min-extended	kg	350	290	250	200	160	130	100	70	40	30

Searcher Hook Small - 300kg

Stowed position

In operation

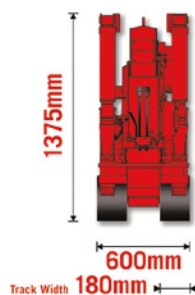
Crane capacity 300 kg (max)

Length 500 mm

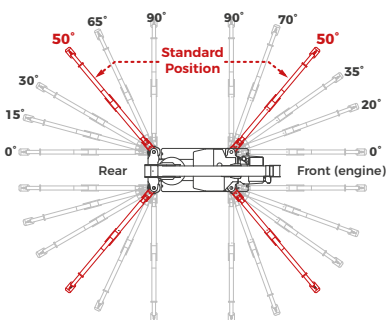
Weight 15 kg

Angles 0°, 20°, 40°, 60°

Dimensions



Outrigger Angle Positions



Optional LPG Gas

